

## Accessories: Mounting unit BES 16-HW-1

### Common Data

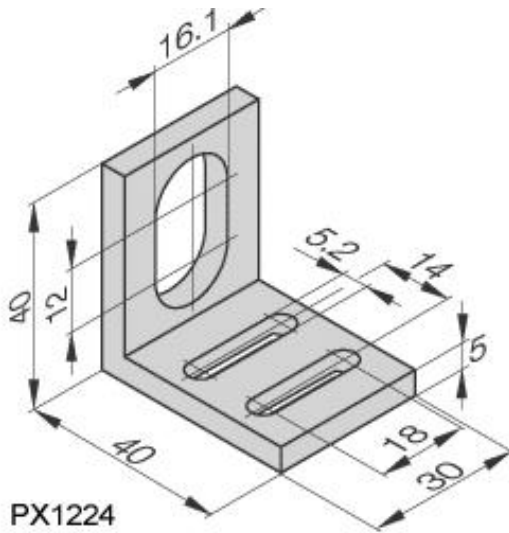
Version  
Usable with

Angle bracket  
Angle bracket for Sensors M16  
and for Brackets e.g. BES 12.0-  
KH-2...

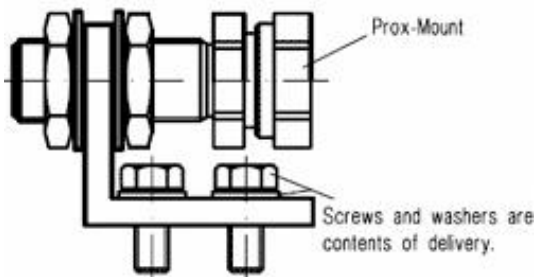
### Mechanical Data

Measurements WxHxD or Dia x D  
Material  
Mounting

30x40x40  
Aluminium  
with 2 screws M5



### Installation Example



Datasheet number::

Definitions see general catalog.  
If not otherwise noted, ratings according to  
IEC 60947-5-2 (DIN EN60947-5-2)

Balluff GmbH  
Schurwaldstrasse 9  
73765 Neuhausen a.d.F.  
Phone (07158) 173-0 Fax (07158) 5010

Datenblatt by CD-ROM - 04/2007

**BALLUFF**  
sensors worldwide